

Junction Box for Submersible Level Transmitter

Part Number: 201-0002

Application

For use with the 260TSB or 261TSG Submersible Level Transmitter, this surface-mountable Junction Box features an IP65 enclosure to protect the reference hose of the transmitter against the intrusion of dust or water, as well as an internal terminal block and pressure compensation port with filter element.



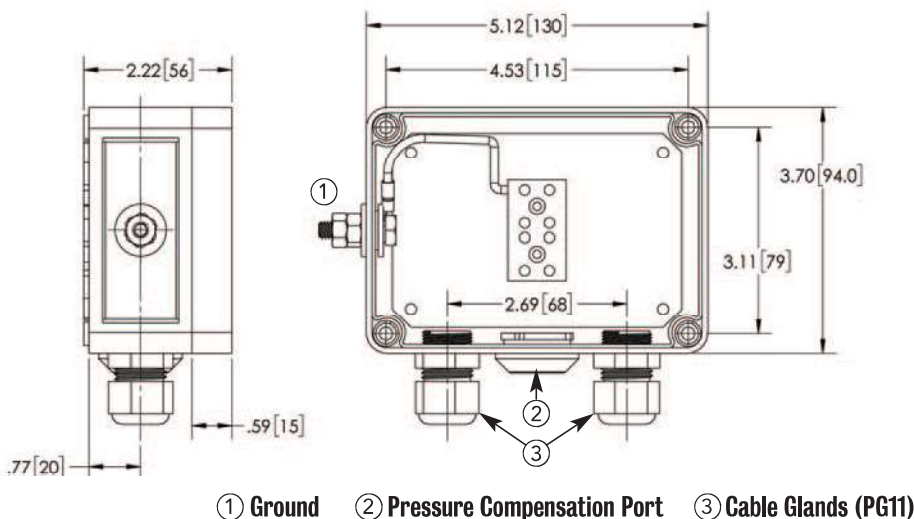
Technical Data

Enclosure Material:	Polystyrene	Working Temperature:	-40 to 158F (-40 to 70C)
Gasket Material:	Polyurethane	Approximate Shipping Weight:	0.7 lbs [0.32 kg]
Mounting:	Surface Mount w/4 screws		
Cable Connection:	(2) PG 11 Cable Glands		
Protection:	IP65 (NEMA 4X)		

Dimensions

All dimensions are nominal. Dimensions in [] are in millimeters.

Junction Box with Pressure Compensation Port



Typical Installation

